



## Side channel vacuum pumps - blowers

### Characteristics

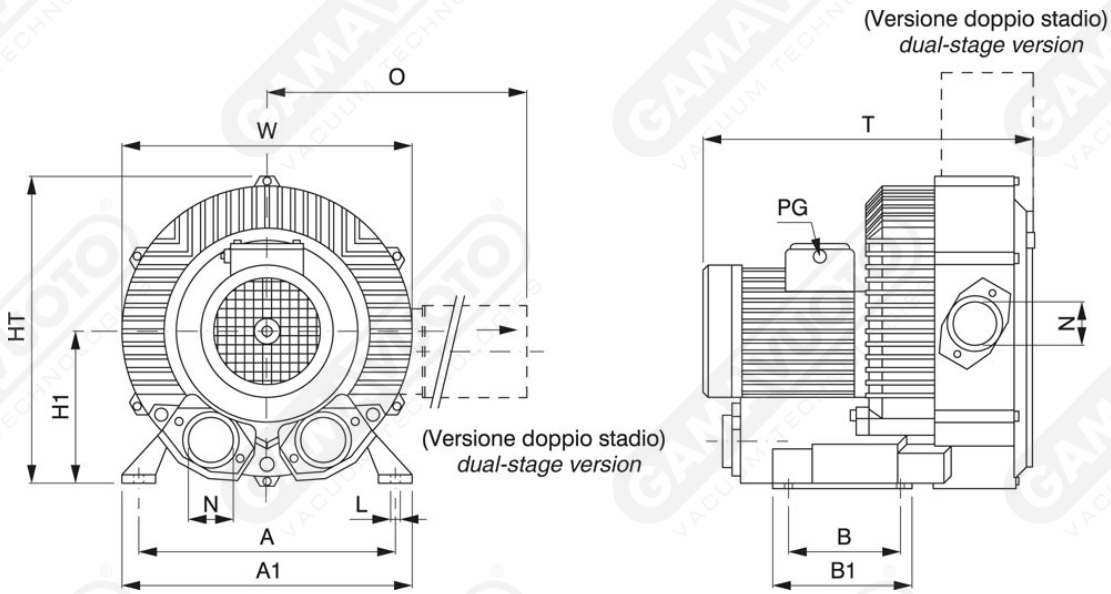
The side channel suction/compression pumps are made in high-pressure die-cast aluminium. Operating without lubrication, thanks to the total absence of contact with elements between the stator and the rotor, the maintenance and wear of components are reduced to a minimum. They are particularly suitable for applications in which it is necessary to have a good suction/compression capacity at an average level of vacuum, keeping the fluids completely free of polluting substances (oil, dust, graphite etc.).

### Uses

- Printing machines
- Industrial aspirators
- Filling machines
- Lifting porous materials

### Precautions

For correct use of the pumps, it is advisable to fit a suction filter and ensure that the room temperature and the conveyed fluid do not exceed 40°C.



**Art. GPE 101 - GPE 942**

Art.	W	HT	A	A1	T	H1	B	B1	N	L	O	Vacuum flow m <sup>3</sup> /h	Vacuum mbar*	Motor power kw
------	---	----	---	----	---	----	---	----	---	---	---	-------------------------------	--------------	----------------

	<b>GPE101MG</b>	198	212	179	196	220	115	65	90	1 ¼"	8.5	-	40		75		0.2		
	<b>GPE201MF</b>	246	247	205	230	256	128	83	108	1 ¼"	10	-	80		125		0.4		
	<b>GPE301MF</b>	268	272	205	230	260	141	83	108	1 ¼"	10	-	95		175		0.5		
	<b>GPE401MF</b>	285	302	225	255	294	154	95	130	1 ½"	12	-	140		175		0.85		
	<b>GPE501MF</b>	334	337	260	295	346	175	115	155	2"	14	-	210	200*	225*	1.5	2.2		
<b>Single stage</b>	<b>GPE531MF</b>	334	337	260	295	334	175	115	155	2"	14	-	260	125*	180*	240*	1.3	1.5	2.2
	<b>GPE601MF</b>	382	384	290	325	377	197	140	180	2"	15	-	320	200*	250*	300*	2.2	3	4
	<b>GPE701MF</b>	451	509	356	394	450	240	170	217	2 ½"	15	-	540	200*	300*	325*	4	5.5	7.5
	<b>GPE731MF</b>	451	461	356	394	449	240	170	217	2 ½"	15	-	700	150*	200*	260*	4	5.5	7.5
	<b>GPE901MF</b>	550	624	360	415	525	300	533	-	4"	15	-	1250	200*	275*	350*	8	12.5	18.5
	<b>GPE931MF</b>	550	624	360	415	682	300	533	-	4"	15	-	1350	120*	210*	310*	8.5	12.5	18.5
	<b>GPE951MF</b>	615	723	-	526	1201	-	-	-	5"	-	-	2100	160*	250*	310*	15	20	25
	<b>GPE302SF</b>	284	270	205	230	316	128	83	108	1 ¼"	10	316	90		210		0.7		
	<b>GPE402SF</b>	322	315	225	255	401	154	95	130	1 ½"	12	324	150	280*	320*	1.6	2.2		
	<b>GPE502SF</b>	372	371	260	295	465	175	115	155	2"	14	411	225	330*	380*	3	4		
	<b>GPE602SF</b>	426	410	290	326	526	197	140	180	2"	15	426	310	350*	450*	450*	4	5.5	7.5
<b>Dual stage</b>	<b>GPE902SF</b>	500	509	356	394	589	240	170	217	2 ½"	15	549	520	250*	400*	425*	5.5	7.5	11
	<b>GPE602PF</b>	424	480	290	325	526	257	140	180	2"	15	469	480	150*	240*	240*	4	5.5	7.5
	<b>GPE802PF</b>	500	550	356	394	589	300	170	217	2 ½"	15	-	900	200*	280*		7.5	11	
	<b>GPE902PF</b>	615	607	360	415	752	300	533	-	4"	15	780	1120	300*	410*	450*	12.5	16.5	20
	<b>GPE942PF</b>	615	657	360	415	752	350	533	-	4"	15	-	1900	125*	225*	325*	15	20	25

\* The vacuum level is determined by the power of the requested motor.

Technical specifications and sizes are not binding. The Company reserves the right to modify or improve them at anytime and without notice.