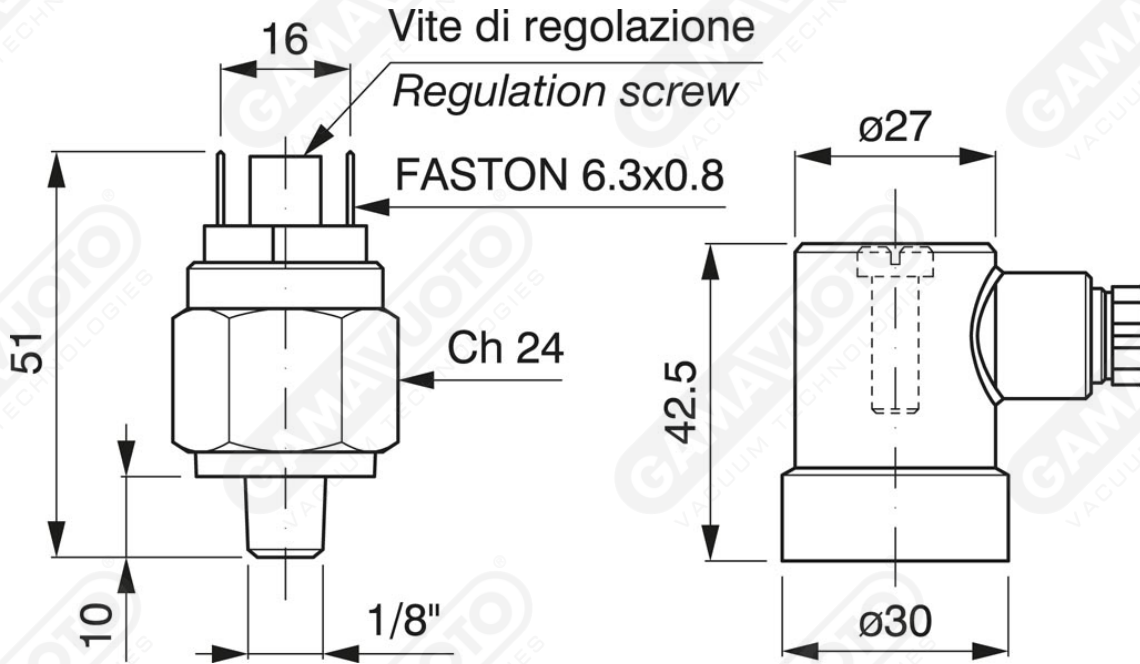


## Mini vacuum switch



Very small vacuum switches with adjustable membranes, made with only one connection, NO or NC and adjustable differential. Adjustment of the vacuum (range from -150 to -675 mm/Hg) is achieved by moving the setscrew situated at the top. It is important to make sure that the screw is not turned completely, in order to avoid affecting correct functioning.



Art. SVC/PAEC E SVC/PCEC

Art. SVC/PAEC - PCEC	Technical data
Max working power	48 V
Max fluid temperature	+80°C
Protection	IP 65
Current	0.5 A
Intervention tolerance 20°C	± 100 mbar
Working pressure	da -200 a -900 mbar
Art. SVC/PAEC (N. Open)	Contact N.A.
Art. SVC/PCEC (N. Close)	Contact N.C