

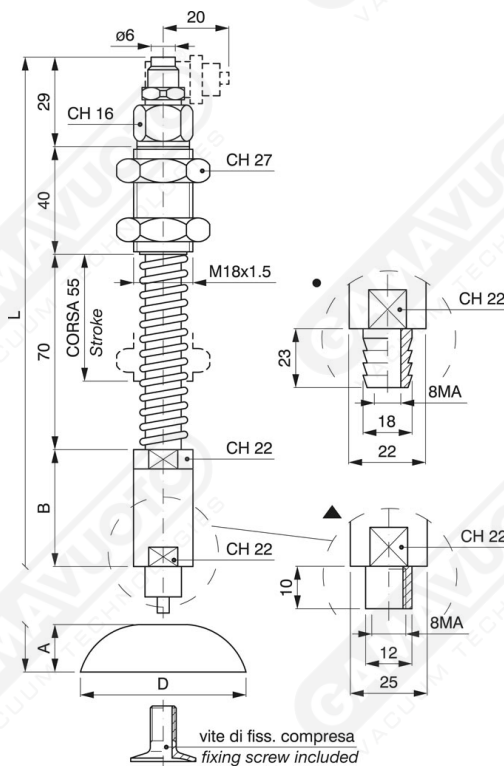


## Standard suction-cup holders with valve and fixing screw

This type of suction-cup holder has the same characteristics as the standard type, with the addition of a valve which is activated only when a pressure is exerted on the suction cup, and closes automatically when the pressure is released.

N.B. - This type of suction-cup holders is particularly recommended for avoiding vacuum leaks, or when using a more powerful pump.

- Rapid straight and "L" shaped joint
- Plastic tube diameter 6 x 8
- Rapid "L" shaped joints = art PSV.....L



### Art.

Art.	A	B	D	L c 25	L c55	L c80	Fixing screw
▲ PSV 35/L	17	51	35	165	207	237	SUM 9
▲ PSV 45/C	17	51	45	165	207	237	SUM 14
▲ PSV 45/L	20	51	45	168	210	240	SUM 14
▲ PSV 60	22	51	59	170	212	242	SUM 21
▲ PSV 65	24	51	65	172	214	244	SUM 21
● PSV 87	40	44.5	87	181.5	223.5	253.5	SUM 21

NB: the suction cups are supplied on request, specifying the material