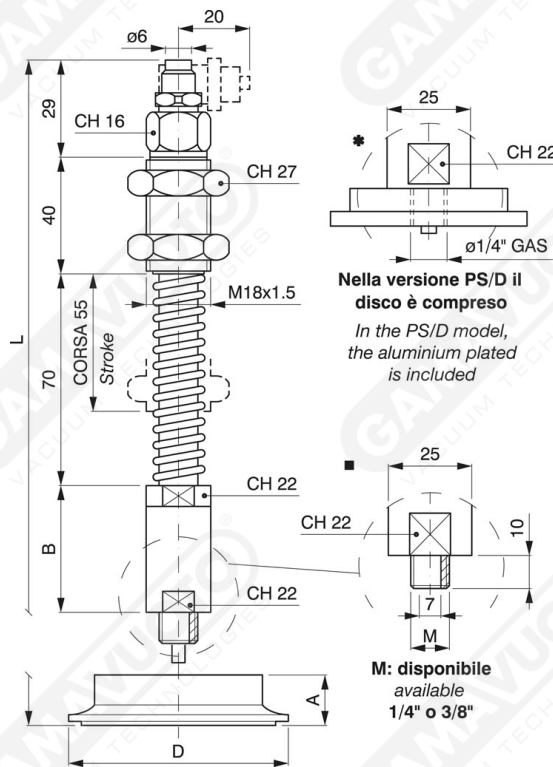




## Standard suction-cup holders with valve and male thread

- Rapid straight and "L" shaped joint
- Plastic tube diameter 6 x 8
- Rapid "L" shaped joints = art PSV.....L



Art.

| Art.          | A    | B  | D   | L c 25 | L c55 | L c80 |
|---------------|------|----|-----|--------|-------|-------|
| ■ PSV 65 1/4" | -    | 51 | -   | 157.5  | 200   | 229.5 |
| ■ PSV 65 3/8" | -    | 51 | -   | 157.5  | 200   | 229.5 |
| * PSV/D 65    | 16   | 51 | 65  | 163.5  | 206   | 235.5 |
| * PSV/D 90    | 17.5 | 51 | 90  | 165    | 207.5 | 237   |
| * PSV/D 120   | 17   | 51 | 120 | 164.5  | 207   | 236.5 |

NB: the suction cups are supplied on request, specifying the material