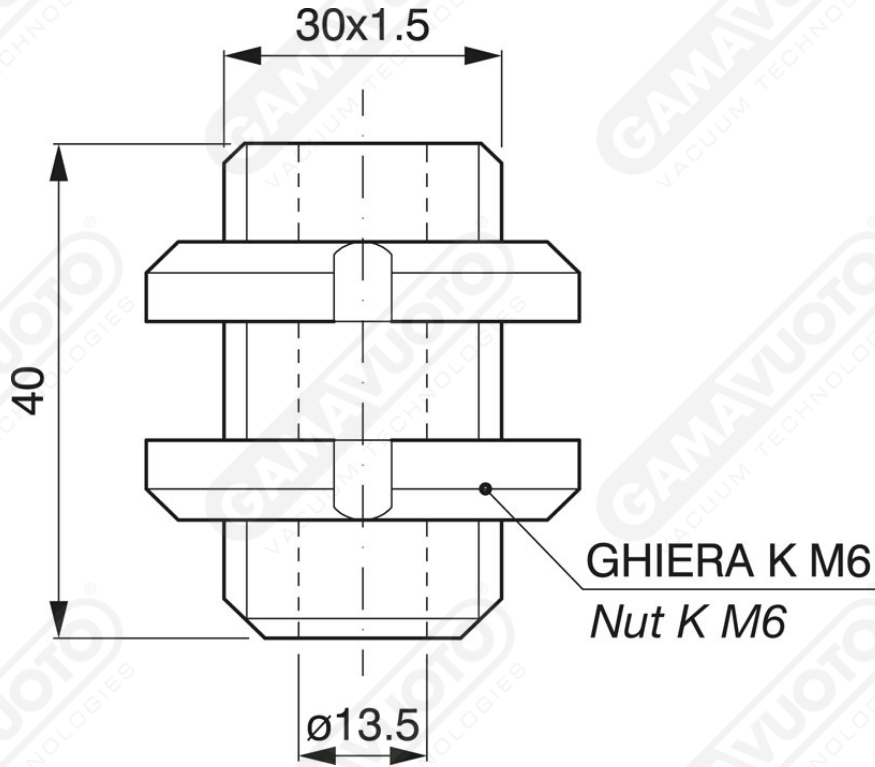


Standard suction-cup holders bulkhead in acetal resin



Useable with all types of standard suctioncup holders and in all screwing lengths.
This self-lubricating material can be used in high frequency applications and with slanting surfaces.



Art.