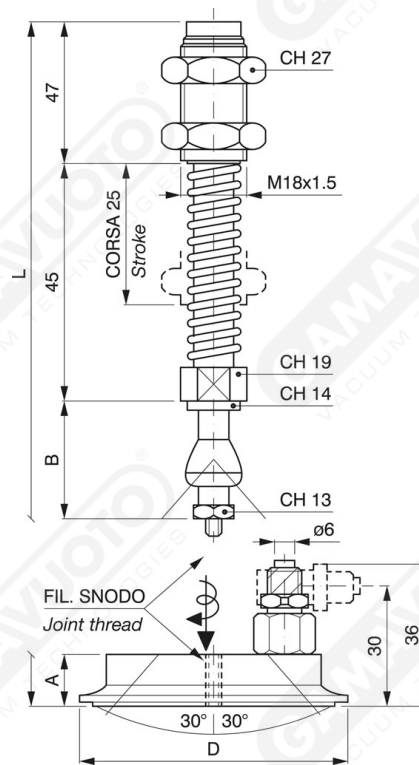


Standard suction-cup holders with swivel joint



The technical characteristics are the same as the standard suction-cup holders, but in addition there is a spherical swivel joint, which allows the suction cup to also grip onto inclined surfaces.

- Rapid straight and "L" shaped joints
- Plastic tube diameter 6 x 8
- Rapid "L" shaped joint = art. PSSD.....L



Art.

| Art. | A | B | D | L c25 | L c55 | L c80 | Swivel joint |
|----------|------|----|-----|-------|-------|-------|--------------|
| PSSD 67 | 17 | 56 | 65 | 165 | 205 | 238 | 8 MA |
| PSSD 90 | 17.5 | 56 | 90 | 165.5 | 205.5 | 238.5 | 8 MA |
| PSSD 120 | 17 | 56 | 120 | 165 | 205 | 238 | 8 MA |

NB: the stem is supplied with disc

The suction cups are supplied on request, specifying the material