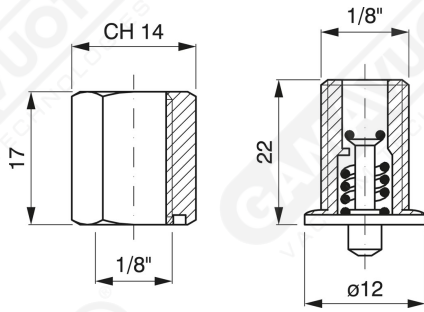
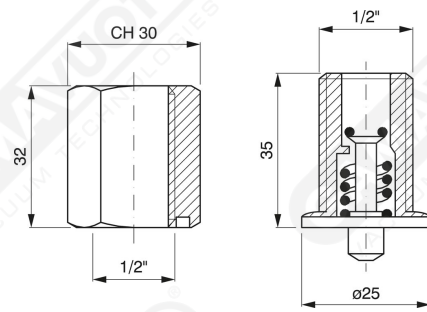


**Relief valves for finned suction cup line with support and valve**



**Art. T. 075**



**Art. T. 110**