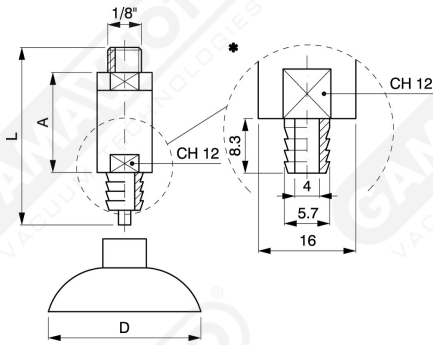


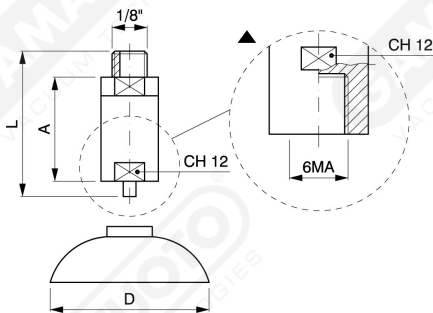
Relief valves



Art. GT 12/15/18/22

Art.	A	L	D	Fixing screw
GT 12	27	50	12	-
GT 15	27	50	15	-
GT 18	27	50	18	-
GT 22	27	50	22	-

NB: the suction cups are supplied on request, specifying the material

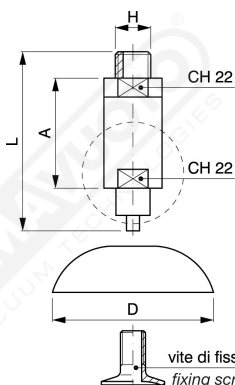


Art. GT 25/30/35 C

Art.	A	L	D	Fixing screw
GT 25/C	8	36	25	SUM 10
GT 30/C	8	36	30	SUM 10
GT 35/C	8	36	35	SUM 11

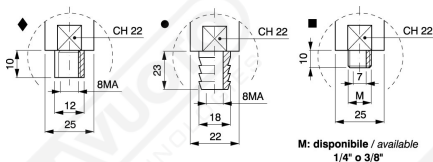
NB: the suction cups are supplied on request, specifying the material

vite di fiss. compresa
fixing screw included



Art.	A	L	D	Fixing screw
◆ GT 35/L	50	85	35	SUM 9
◆ GT 45/C	50	85	45	SUM 14
◆ GT 45/L	50	85	45	SUM 14
◆ GT 60	50	85	59	SUM 21
◆ GT 65	50	85	65	SUM 21
● GT 87	43	95	87	SUM 21
■ GT 1/4"	50	86	-	-
■ GT 3/8"	50	86	-	-

NB: the suction cups are supplied on request, specifying the material



Relief valves

Art. GT 35/45/60/65/87