

**Vacuum pumps with lubrication and oil separator cartridge G series - 90-105 mc/h**



**Characteristics**

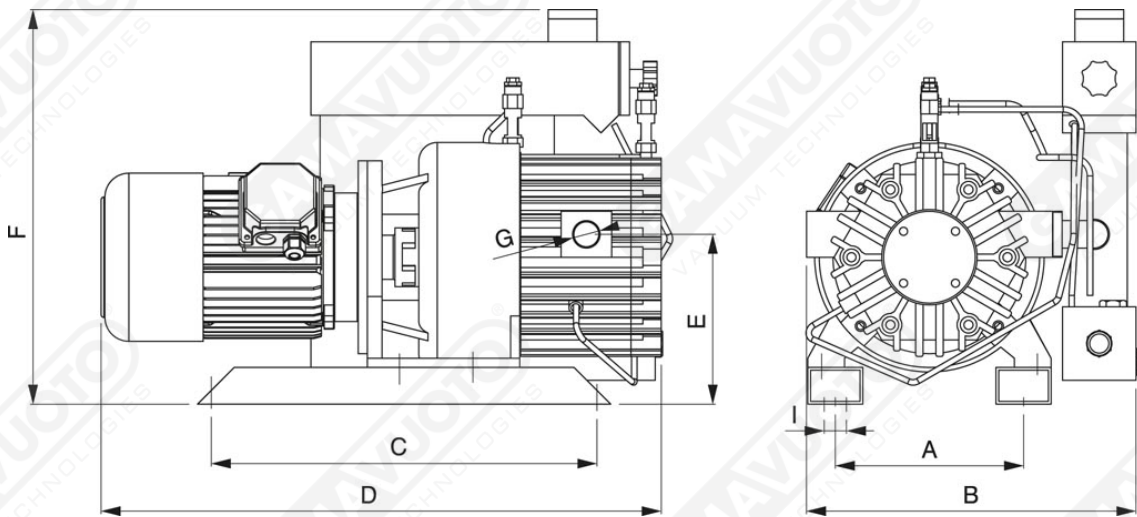
Gamavuoto 105 m<sup>3</sup>/h lubricated vacuum pumps are characterized by a very simple design, by a strong, compact body and by a simple but efficient air cooling system. In the "G" series the electric motor is connected to the body of the pump through a flexible connector and this allows the use of different kinds of motors and there is also an oil separator filter cartridge an interchangeable oil separator filter cartridge placed on the exhaust that helps to reduce practically to zero smoke emissions.

They require only the bare minimum of maintenance since the recycling lubrication allows the oil to be changed or topped up only according to the actual operating times.

**Installation**

Connect up the vacuum circuit. Set up the electrical connections to the motor and check that the pump is rotating in the right direction

WARNING! If the electrical motor rotates in the wrong direction, the suction unit could be damaged.



**Art. GPOL 105 GD**

Art.	Vacuum flow		Final pressure ABS mbar/ass	Rpm		Motor power		Weight kg	A	B	C	D	E	F	G	I	Oil viscosity
	50 Hz Mc/h	60 Hz Mc/h		50 Hz g/min	60 Hz g/min	50 Hz Kw	60 Hz Kw										
<b>GPOL 105/GD</b>	105	126	65	1450	1700	3	3.5	90	210	410	415	690	185	450	1-1/2"	12.5	ISO 150