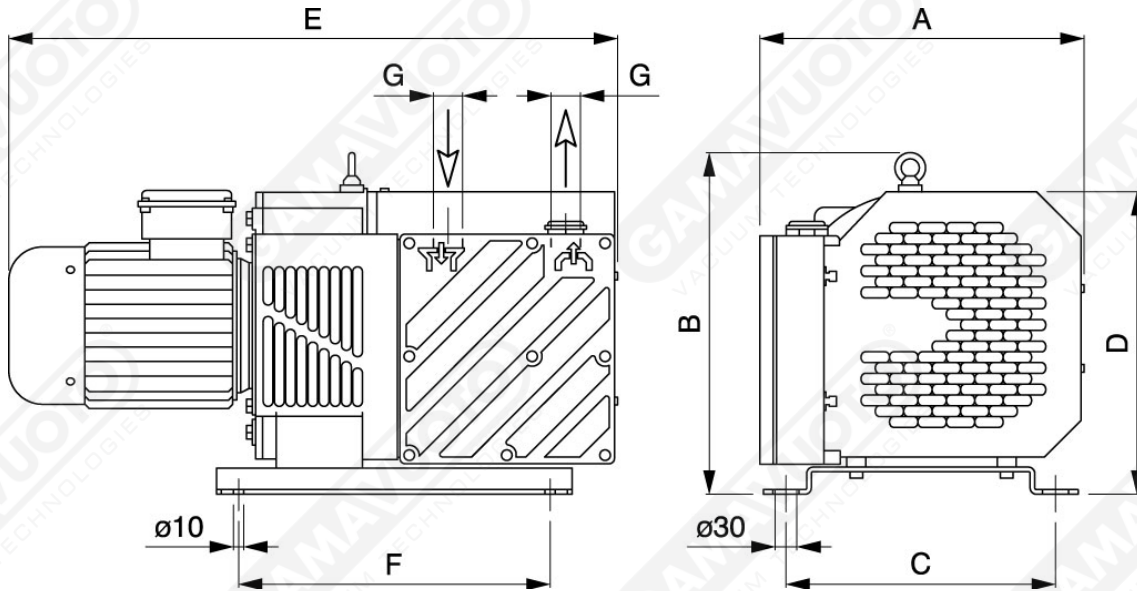


**Vacuum pumps without lubrication GPZS 60-140**



**Art. GPZS 60/80/100/130**

Art.	Vacuum flow		Final pressure ABS mbar (ass.)	Rpm		Motor power		Weight kg	A	B	C	D	E	F	G
	50 Hz Mc/h	60 Hz Mc/h		50 Hz g/min	60 Hz g/min	50 Hz Kw	60 Hz Kw								
<b>GPZS 60</b>	60	70	120	1400	1700	1.5	1.8	66	363	382	305	341	692	348	1"
<b>GPZS 80</b>	80	90	120	1400	1700	2.2	2.7	71	363	382	305	348	722	348	1"
<b>GPZS 100</b>	100	115	120	1400	1700	3.3	3.7	87	363	382	305	348	820	348	1-1/2"
<b>GPZS 140</b>	130	150	120	1400	1700	4	4.4	95	363	382	305	362	820	348	1-1/2"