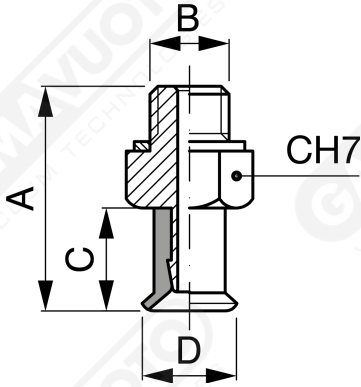
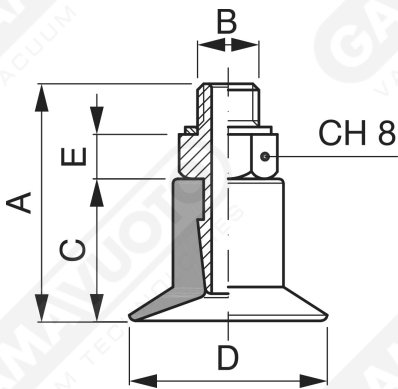


Non-finned flat suction cup CM Series with support



Art. CM 05/07/09 10

Art =	S. cup	+ Support	A	B	C	D
CM 05 10	CM 05 15	+ SUM 40	13.5	5 MA	6	5
CM 07 10	CM 07 15	+ SUM 40	14	5 MA	6.5	7
CM 09 10	CM 09 15	+ SUM 40	14.5	5 MA	7	9



Art. CM 11/16 10

Art =	S. cup	+ Support	A	B	C	D
CM 11 10	CM 11 15	+ SUM 41	19	5 MA	10.5	11
CM 16 10	CM 16 15	+ SUM 41	20	5 MA	11.5	16.5