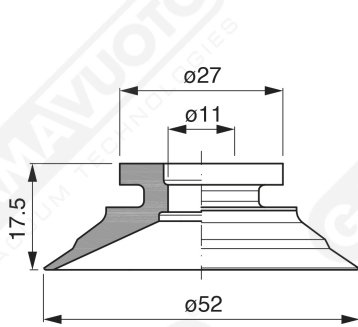
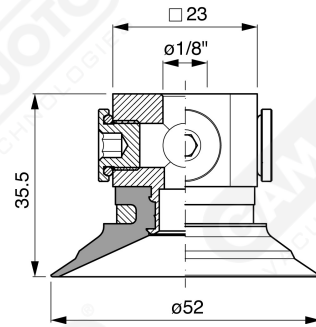


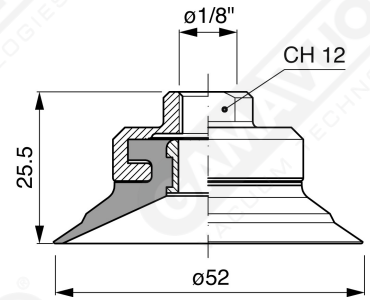
**Non-finned flat suction cup CF 50 Series**



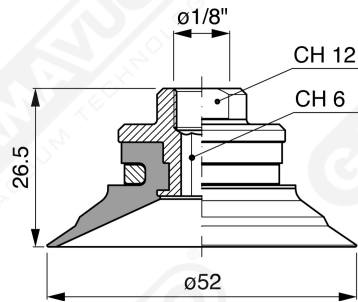
**Art. CF 50 15**



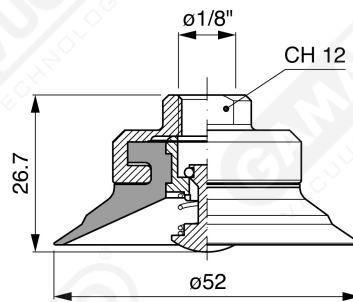
**Art. CF 50 00**



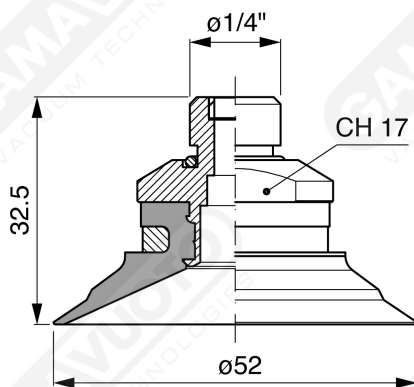
**Art. CF 50 10**



**Art. CF 50 20**



**Art. CF 50 50**



**Art. CF 50 70/71/73/74**

**Art. CF 50 70**

with filter

**Art. CF 50 71**

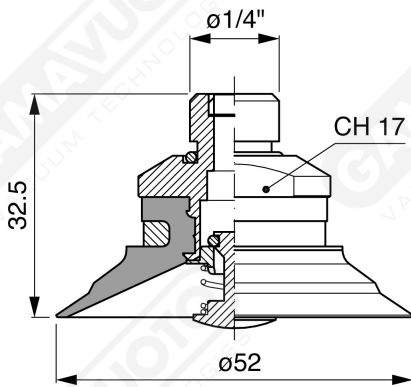
with filter and check valve

**Art. CF 50 73**

without filter

**Art. CF 50 74**

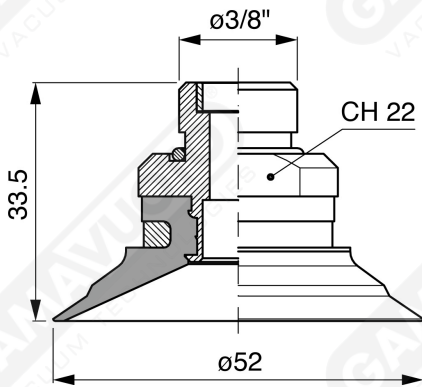
with check valve without filter



**Art. CF 50 72**  
with relief valve and filter

**Art. CF 50 75**  
with relief valve without filter

**Art. CF 50 72/75**



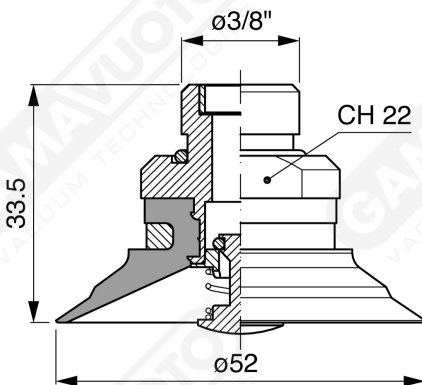
**Art. CF 50 80**  
with filter

**Art. CF 50 81**  
with filter and check valve

**Art. CF 50 83**  
without filter

**Art. CF 50 84**  
with check valve without filter

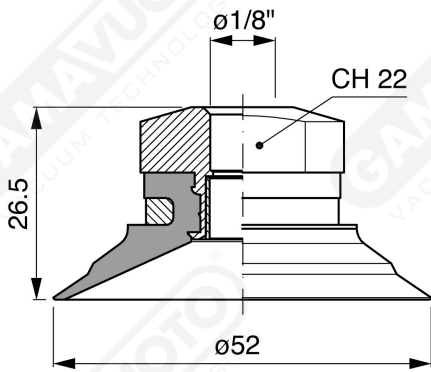
**Art. CF 50 80/81/83/84**



**Art. CF 50 82**  
with relief valve and filter

**Art. CF 50 85**  
with relief valve without filter

**Art. CF 50 82/85**



**Art. CF 50 90**

with filter

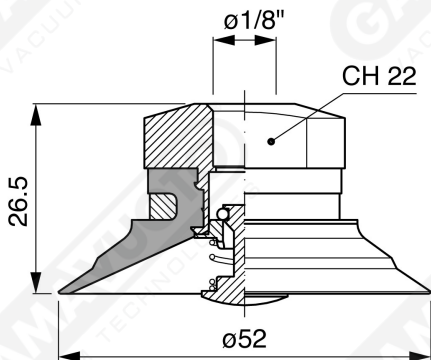
**Art. CF 50 91**

with check valve

**Art. CF 50 93**

without filter

**Art. CF 50 90/91/93/94**



**Art. CF 50 92**

with relief valve and with filter

**Art. CF 50 95**

with relief valve without filter

**Art. CF 50 92/95**