



Vacuum regulator RTN

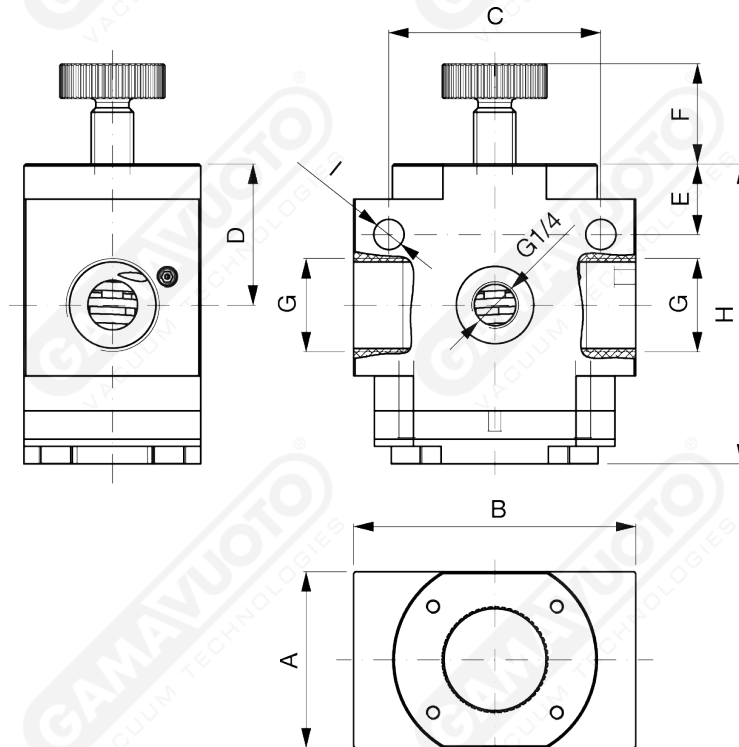
This regulator, built in aluminum anodized, it is able to regulate the vacuum and the flow in a fine and precise way to use. The vacuum degree and the flow vary in a directly proportional way.

Operation

Membrane-piston reducer.

Working pressure from -0,04 to -1 bar, with a capacity of up to 50mc/h.

Working temperature from +10°C to +70°C.



Art. RTN

Art.	A	B	C	D	E	F	Gø	H	Iø
RTN 3/4"	50	80	60	40	20	28.5	3/4"	85	8.5
RTN 1"	60	98	60	40	15	28.5	1"	85	8.5