

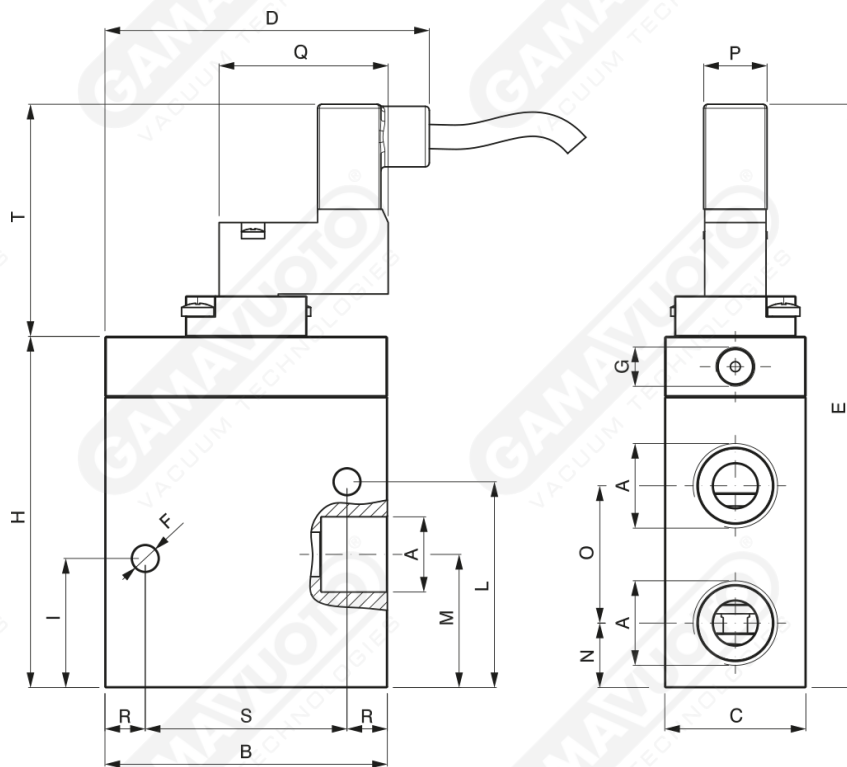
3 way bistable vacuum electrovalves, servo-assisted by compressed air

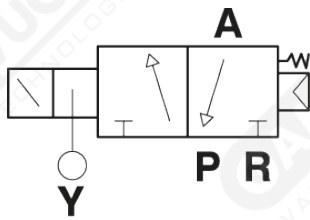
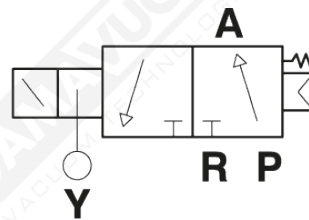


The ELVUB solenoid valve is equipped with a bistable coil which, thanks to an electric impulse, changes position and maintains it without the need for continuous power.

The connection is obtained with a DIN FASTON 43650-C connector.

- Valve body: anodized aluminium
- Spring: harmonic steel
- Gasket: Viton
- Absorbed power: 2,5 Watt
- Voltage: 24V. DC - 100% ED
- Voltage tolerance: $\pm 10\%$
- Coil tolerance: $\pm 5\%$
- Working temperature of coil: -10° $+50^{\circ}$ C.
- Fluid temperature: -10° $+50^{\circ}$ C.
- Degree of protection of connector: IP 65



**NC****P SCARICO****A UTILIZZO****R POMPA****Y COMANDO ARIA 3:8 BAR***P OUTLET**A USE**R PUMP**Y AIR CONTROL 3:8 bar***NO****P POMPA****A UTILIZZO****R SCARICO****Y COMANDO ARIA 3:8 BAR***P PUMP**A USE**R OUTLET**Y AIR CONTROL 3:8 bar***Art. ELVUB**

Art.	A Ø	Orif. Ø	B	C	D	E	FØ	GØ	H	I	L	M	N	O	P	Q	R	S	T	Capacity m3/h
ELVUB 1/4"	1/4"	8	58.5	32	68.9	136.5	4.5	1/8"	77.5	24.5	30	36	24	23.5	15.7	41.9	10	40	57.5	5
ELVUB 3/8"	3/8"	10	70	35	80.4	144.5	6.5	1/8"	77.5	24.5	36	36	24	23.5	15.7	41.9	10	50	57.5	10
ELVUB 1/2"	1/2"	15	70	35	80.4	144.5	6.5	1/8"	87	32	51	33	16	34	15.7	41.9	10	50	57.5	20
ELVUB 3/4"	3/4"	19	80	50	90.4	175.5	6.5	1/8"	118	43	83	51	21	58	15.7	41.9	10	60	57.5	35
ELVUB 1"	1"	25	80	50	90.4	175.5	6.5	1/8"	118	43	83	51	21	58	15.7	41.9	10	60	57.5	90

A 755 mm Hg The 3 way vacuum valves can operate as 2 way systems, with the use of a plug